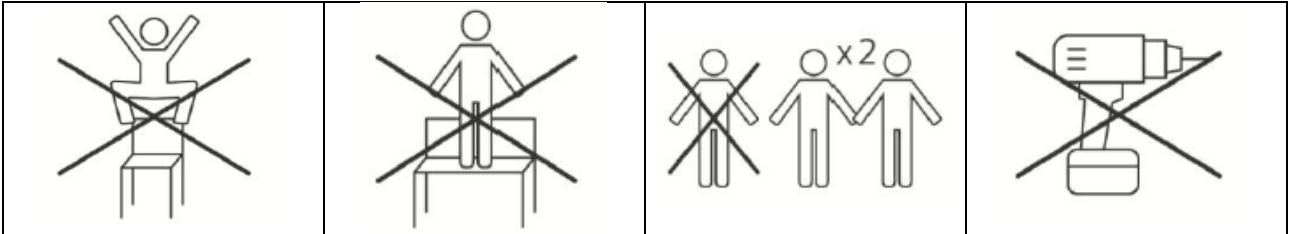


MONTAGEANLEITUNG




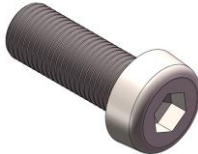
ASSEMBLY INSTRUCTION

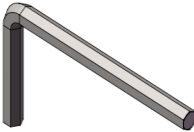
NOTICE DE MONTAGE

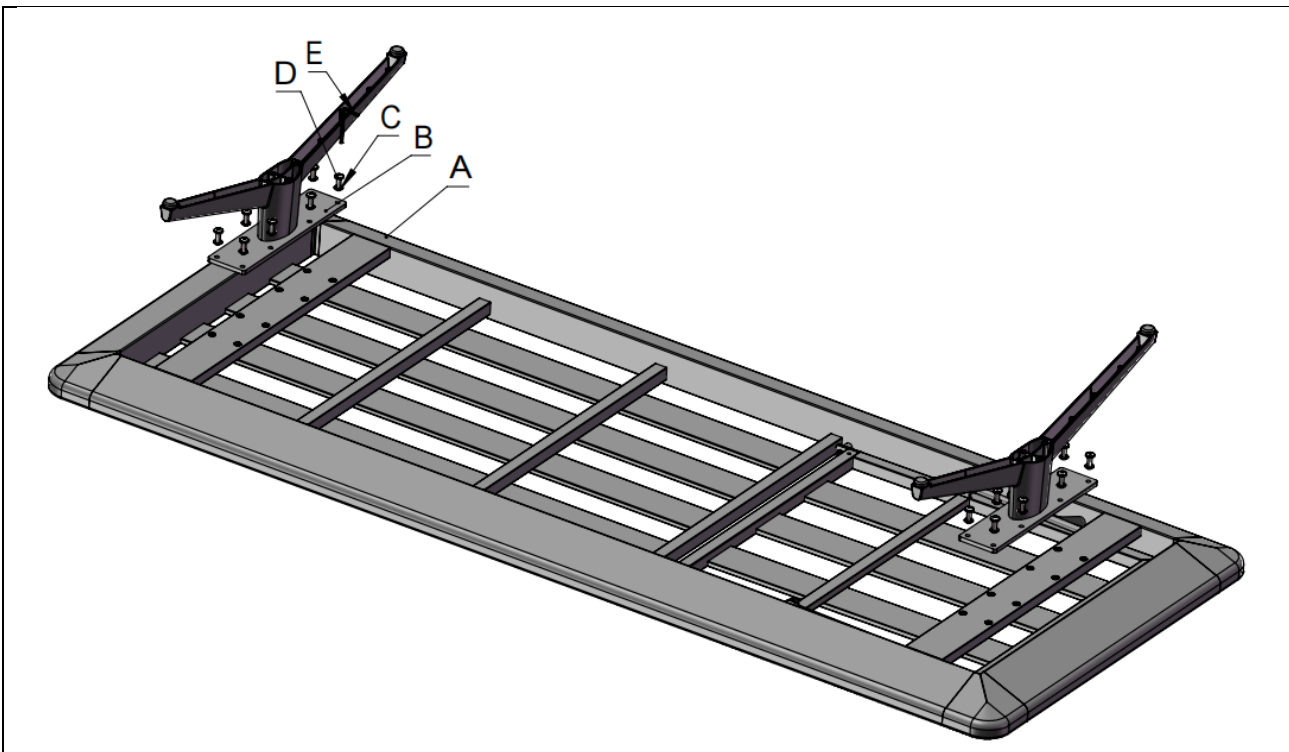






1.

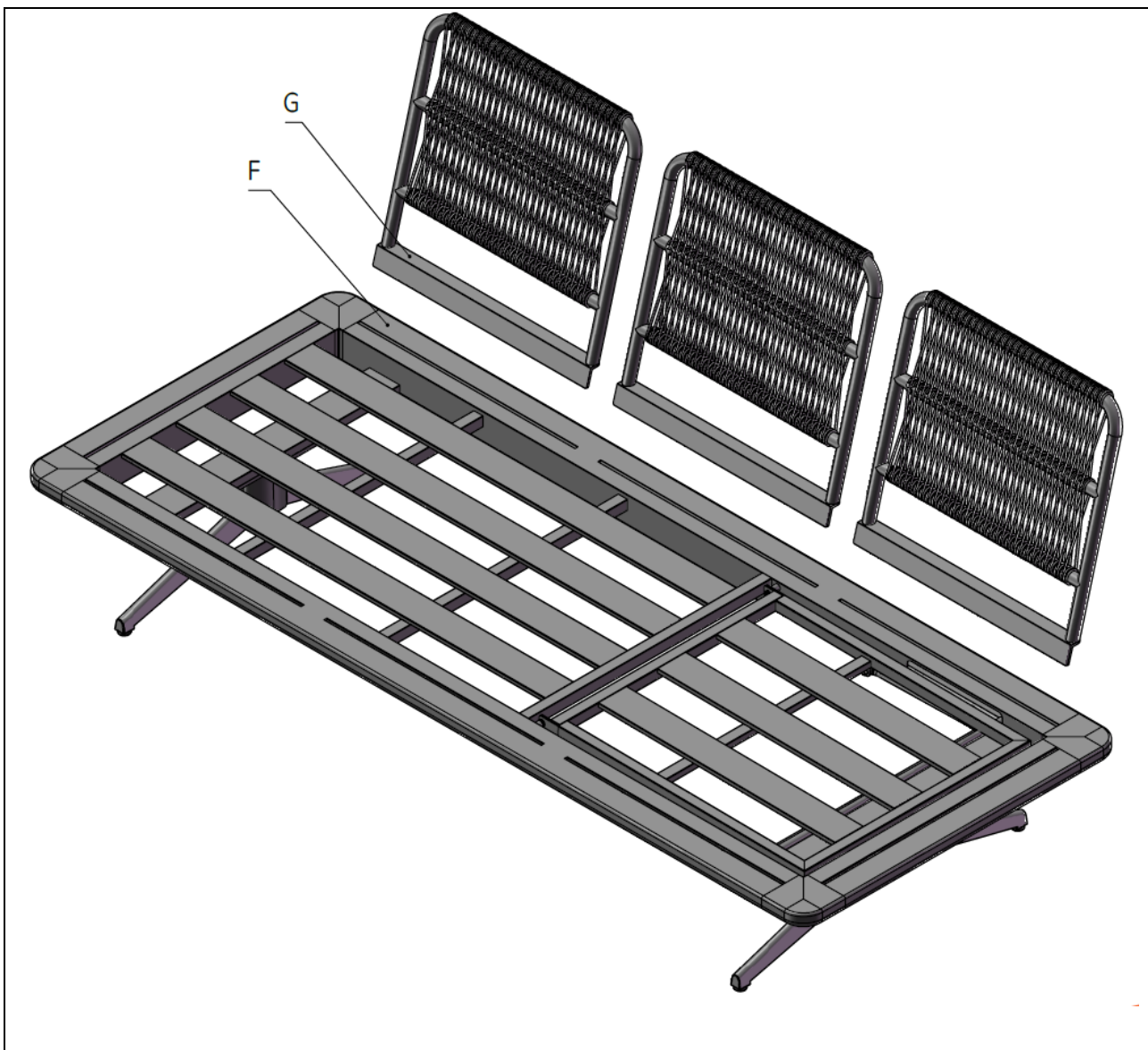
A 1 x	B 2 x	C 16 x Ø16 x 1	D 16 x M 8 x 25
			

E 1 x 5mm			
			



2.

F 1 x	G 3 x		
			



3.

F 1 x	H 3 x		
